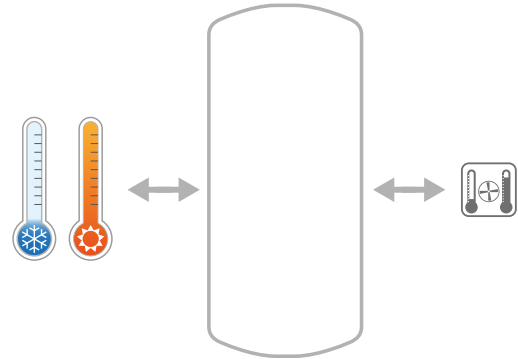


# VOLANO TERMICO PDC REVERSO

BUFFER TANK FOR HEATING AND COOLING INSTALLATIONS



PRESSURE	TEMPERATURE
Pmax	Tmax
4 bar	-10 / +90 °C



## TECHNICAL DESCRIPTION

VOLANO TERMICO PDC REVERSO is used in cooling systems to store cold water and also in heating systems to store hot water at high flow rate.

## MATERIAL

Mild steel.

## APPLICATION

Buffer either for hot or cold water.

## ANTI-CORROSION TREATMENT

The anti-corrosion treatment is not necessary being installed in closed systems.

## INSULATION

One layer of anti-condensation insulation plus a second layer of polyester fiber, all covered by an aluminium external cover (which can be dissembled to facilitate passage)

## EXTERNAL LINING

Aluminium external cover.

## CONNECTION FOR ELECTRIC IMMERSION HEATERS

1 1/2" connection for low temperature electric immersion heater (thermostat from 0 to +50 °C) - see the table below.

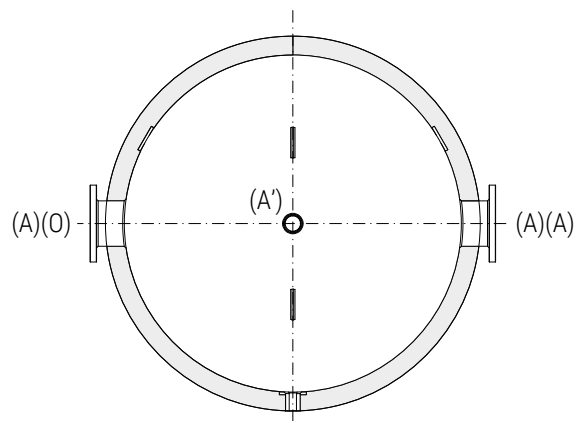
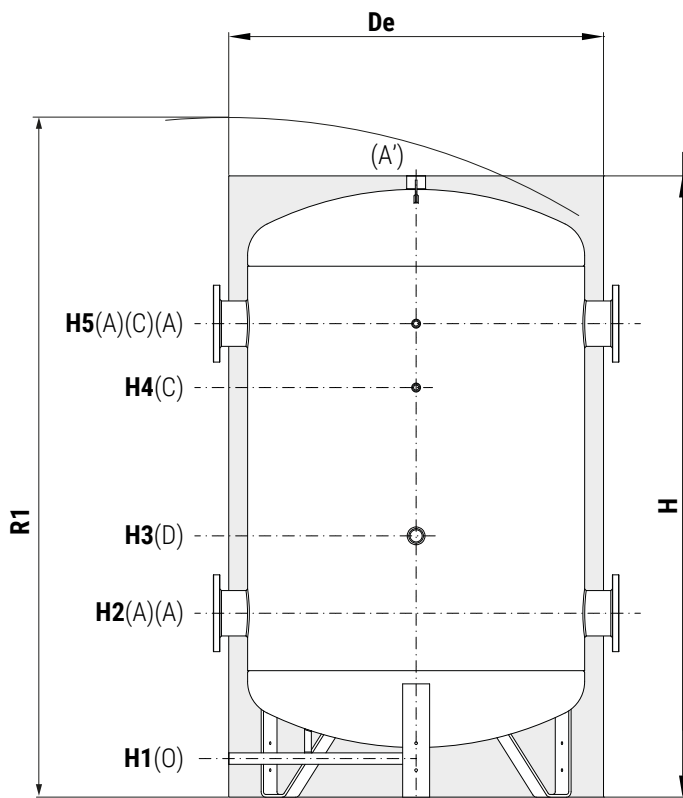
## WARRANTY

2 years-See general sales conditions and warranty.

## VOLANO TERMICO PDC REVERSO

Model	HARD FOAM insulation
	Art. Nr.
<b>2500</b>	3001162310559
<b>3000</b>	3001162310560
<b>4000</b>	3001162310561
<b>5000</b>	3001162310562

- A** To the System
- A'** To the System
- C** Connection for instrumentation 1/2" F
- D** Connection for electric immersion heater 1 1/2" F
- O** Drain



Model	Weight [Kg]	Volume [lt]	De	H	R1	H1	H2	H3	H4	H5	Connections F		
											A'	A	D
<b>2500</b>	397	2294	1390	2304	2630	143	682	969	1519	1756	1"	DN150 PN16	2"
<b>3000</b>	432	2988	1540	2378	2770	127	711	998	1448	1785	1"	DN150 PN16	2"
<b>4000</b>	494	3914	1740	2386	2880	105	719	996	1426	1763	1"	DN150 PN16	2"
<b>5000</b>	714	4970	1740	2950	3360	105	719	1166	1991	2293	1"	DN150 PN16	2"